

14

13

12

C

DRAWING NO.

97F6934

REV

1

SHEET

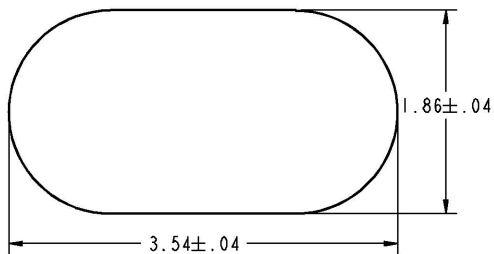
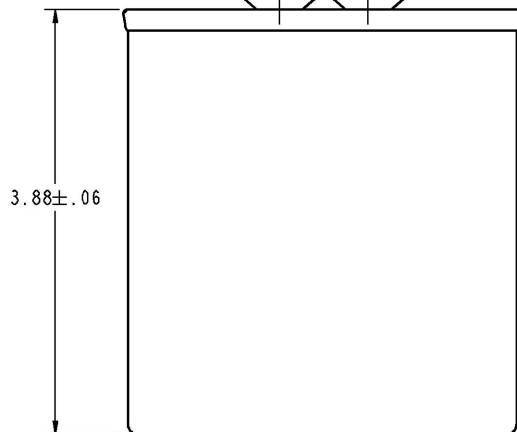
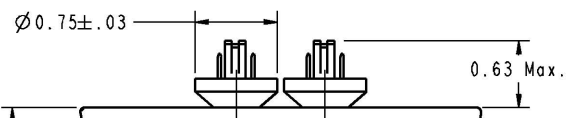
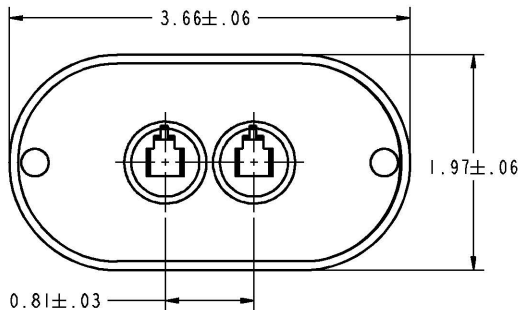
1

RBC PROPRIETARY AND CONFIDENTIAL INFORMATION

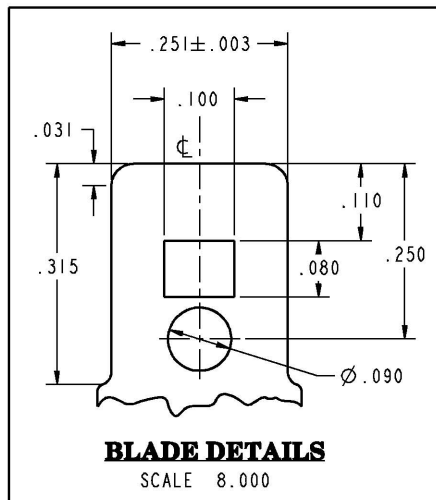
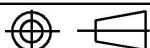
This document is the property of REGAL BELOIT CORPORATION ("RBC") including its subsidiaries and divisions and contains proprietary information of RBC. This document is loaned on the express condition that neither it nor the information contained therein shall be disclosed in whole or in part without the written consent of RBC, and that the information shall be used by the recipient only as approved in writing by RBC. This document shall be returned to RBC upon the recipient's request. This document may be subject to certain restrictions under U.S. export control laws and regulations.

REVISIONS

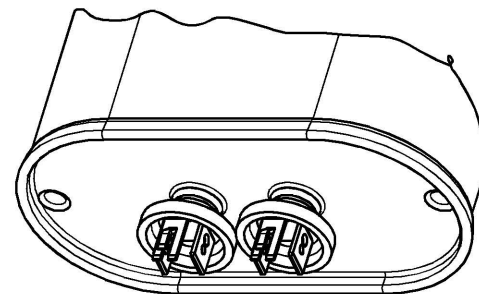
REV.	DESCRIPTION	DATE	APPROVED
1	Modified per ECN NO. 0627.	11/11/05	HV



THIRD ANGLE PROJECTION

**BLADE DETAILS**

SCALE 8.000



SCALE 1.500

SPECIFICATIONS :

"GEM-III Capacitors are manufactured with High Grade Metallized Polypropylene Film"

Main Capacitance	: 26.00 μ F \pm 3%
Secondary Capacitance	: NIL
Volts	:540AC
Leakage Current	:30 μ A Max.
Frequency	:50/60 HZ
Operating Temperature	: -40 DEG C TO 90 DEG C
Storage Temperature	: -40 DEG C TO 90 DEG C
Operative Life	:60,000 HRS WITH 94% SURVIVAL
Dissipation Factor	:0.1% MAX.
Case Material	:ALUMINIUM
Cover Material	:TERNPLATE
Terminals	: 0.250"x0.031" Quick Connect Blades
Dielectric Fluid	:DIELEKTROL VI
Internal Protection	: UL RECOGNIZED PRESSURE SENSITIVE INTERRUPTER

FOR ADDITIONAL INFO REFER TO:	SIGNATURES	DATE
APPLIED PRACTICES	MODEL R. P. HIRURKAR	10/14/04
UNLESS OTHERWISE SPECIFIED DIMENSIONS ARE IN INCHES	DETAIL R. P. HIRURKAR	10/14/04
TOLERANCE ON:	CHECKED R. P. HIRURKAR	10/14/04
1 PL DECIMALS \pm 0.1	ENGRG	-
2 PL DECIMALS \pm 0.01	MFG	-
3 PL DECIMALS \pm 0.001	QUALITY	-
ANGLES \pm 0.5	ISSUED	-
FRACTIONS \pm		
FINISH		
MATERIAL	SOLID MODEL: ZTCAPAC1TOR.ASM	



REGAL-BELOIT CORPORATION

**GEM III CAPACITOR
OUTLINE DRAWING**

TITLE

SIZE DRAWING

C

97F6934

REV

1

SCALE: 1.250

REF. No: .

SHEET 1 OF 1

14

13

12

11